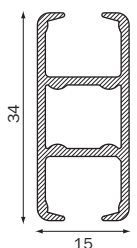


# 4100 / 5100

## profile

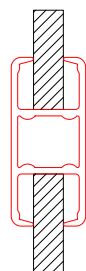


**4100**  
405 gr/m

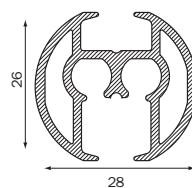
## bending

radius  
R 15\*) (1015)  
R 20 (1015)  
R 30 (1015)  
R >80 (1018)

filler position



## profile

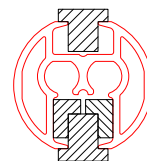


**5100**  
522 gr/m

## bending

radius  
R 15\*) (1015)  
R 25 (1015)  
R >100 (1018)

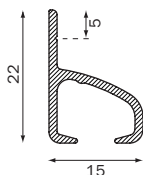
filler position



L-shaped fillers  
only for cord operated systems

\*) Bending: Minimum radius 15 cm. Larger radius (20, 25, 30 cm) strongly recommended for smoother curtain movement in bends.

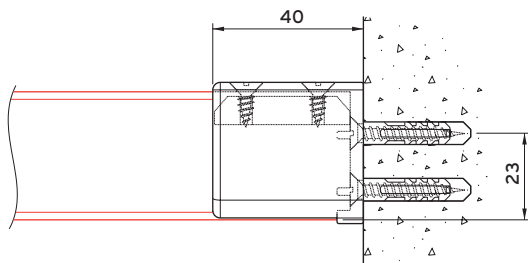
**4301**  
172 gr/m



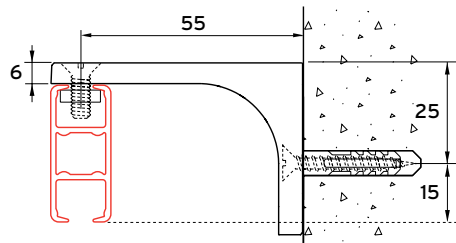
4301: Rail intended for use with load release gliders. Pre-punched for wall-mounting: punch holes 4mm diameter at 30cm centres. For further details see also the Load Release Gliders section.

## Mounting ceiling & wall

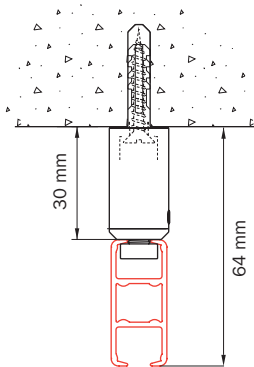
### 4100



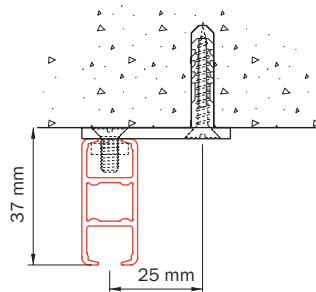
wall mounting with wall bracket 4149



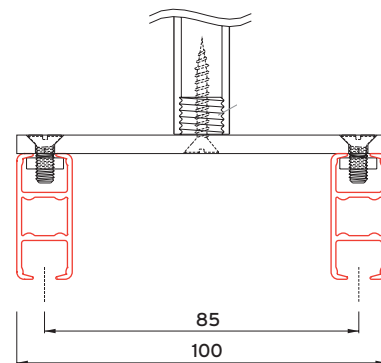
wall mounting with bracket 4140



ceiling mounting with suspension hanger 4254

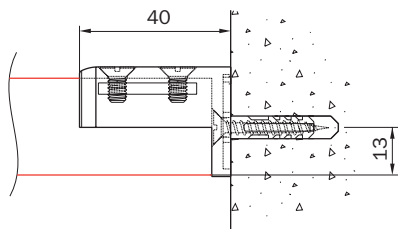


ceiling mounting with ceiling bracket 4135

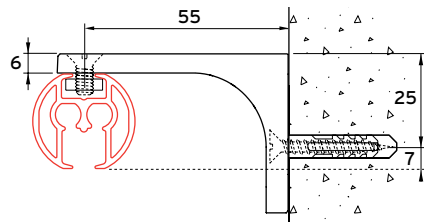


mounting with double bracket 4116-10 to suspension hanger 4055

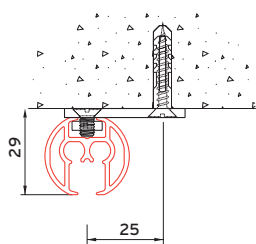
# 5100



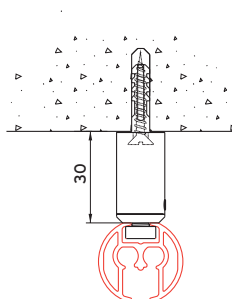
wall mounting with wall support 5149



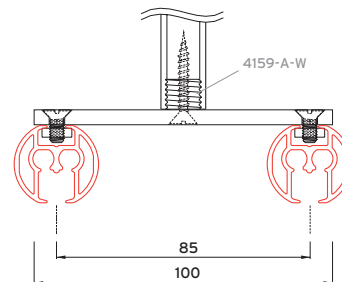
wall mounting with wall bracket 5140



ceiling mounting with bracket 5135

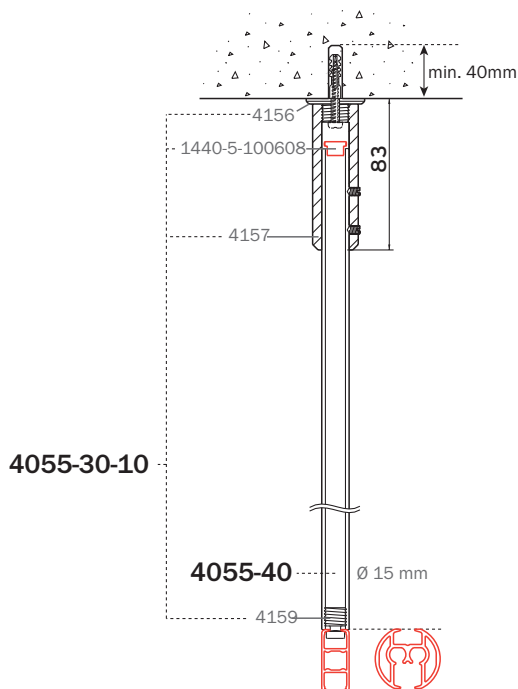


ceiling mounting with mini suspension hanger 4254



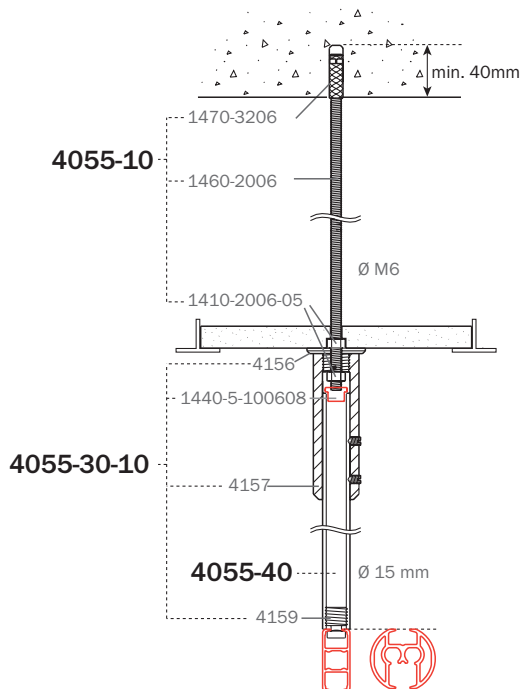
mounting with double bracket 5116-10 to suspension hanger 4055

# Suspension hangers



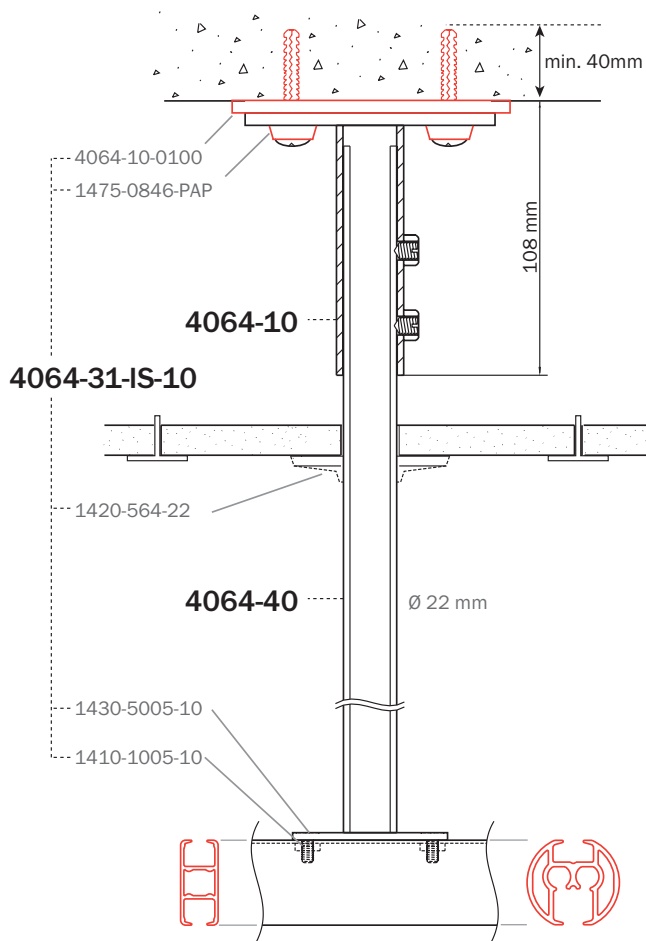
- ceiling mounting of 4100 or 5100 to suspension hanger with mounting set 4055-30-10, isolated according to local legislation.
- excl. screw and plug

max. load capacity of suspension hanger: 30 kg (perpendicular to ceiling and depending on quality of ceiling mounting).



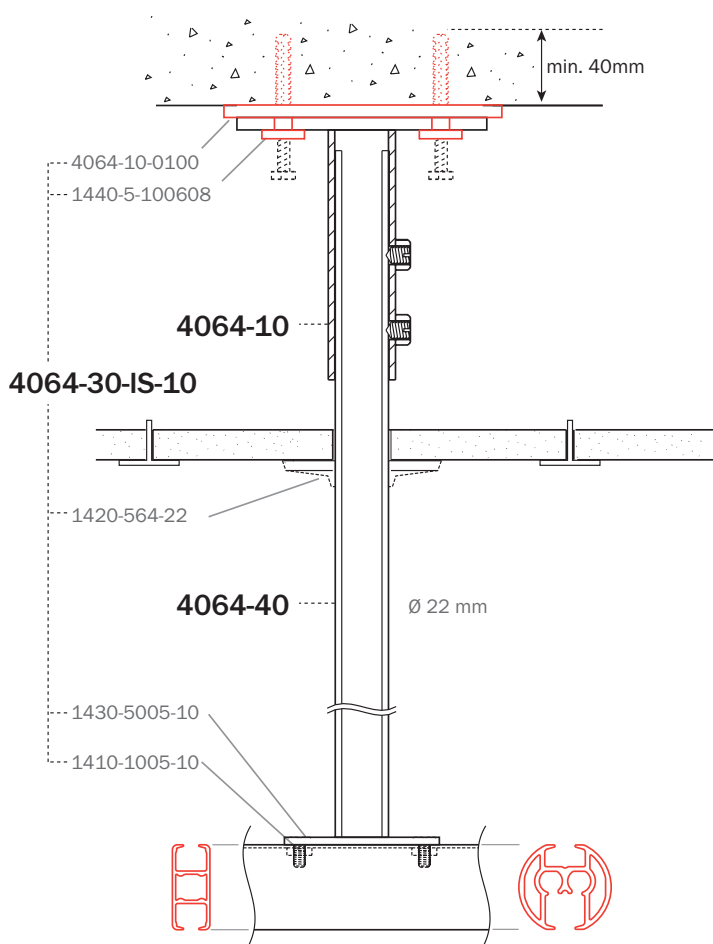
- ceiling mounting of 4100 or 5100 to suspension hanger with mounting set 4055-30-10, isolated according to local legislation.
- suspension hanger fixed to threaded rod set 4055-10

# Strut hangers

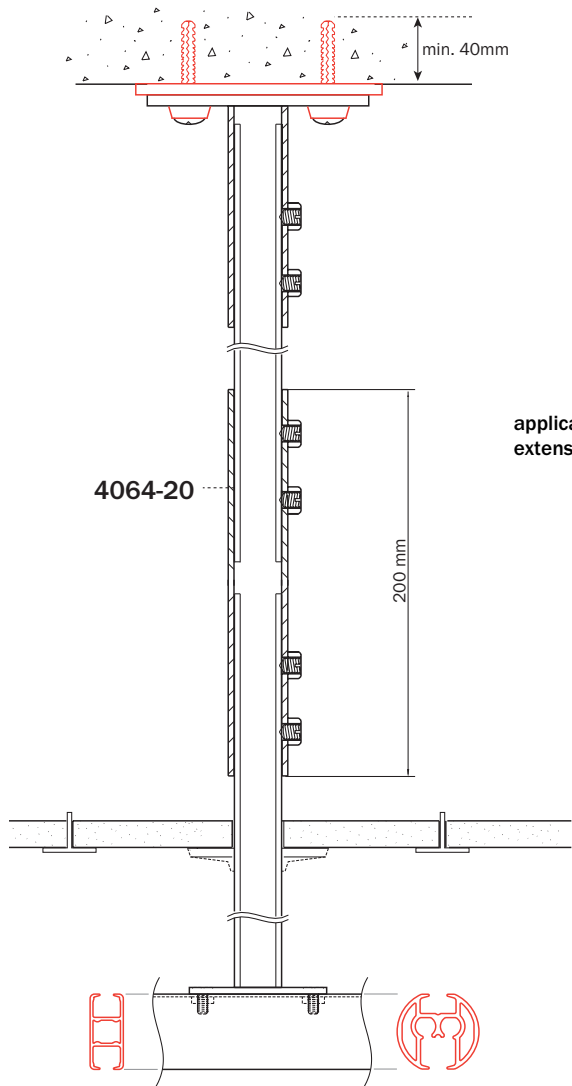


- ceiling mounting of 4100 and 5100 with base plate 4064-10, mounting set 4064-31-IS-10 (for isolated placement according to local legislation) and hanger tube 4064-40 (to length)  
- incl. screw and isolation plug

max. load capacity hanger tube: 60 kg, (perpendicular to ceiling and depending on quality of ceiling mounting).



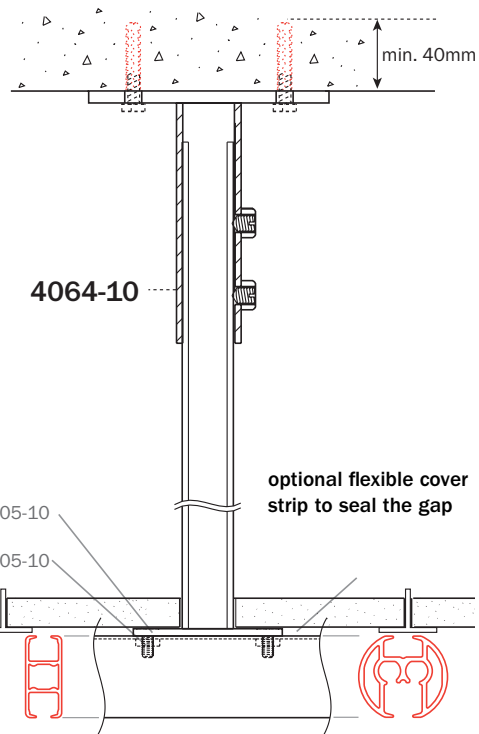
- ceiling mounting of 4100 and 5100 with base plate 4064-10, mounting set 4064-30-IS-10 (for isolated placement according to local legislation) and hanger tube 4064-40 (to length)  
- excl. screw and plug (ceiling side)



application of the extender 4064-20 for extension of the hanger tube

4064-20

200 mm



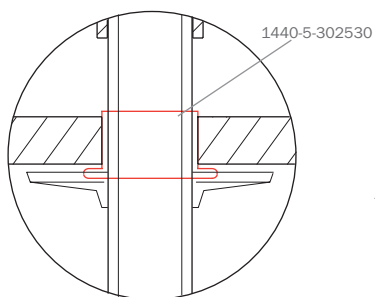
Example of non-isolated mounting with set 4064-30-10 and placement of rail directly under a suspended ceiling.

4064-10

optional flexible cover strip to seal the gap

4064-30

1430-5005-10  
1410-1005-10

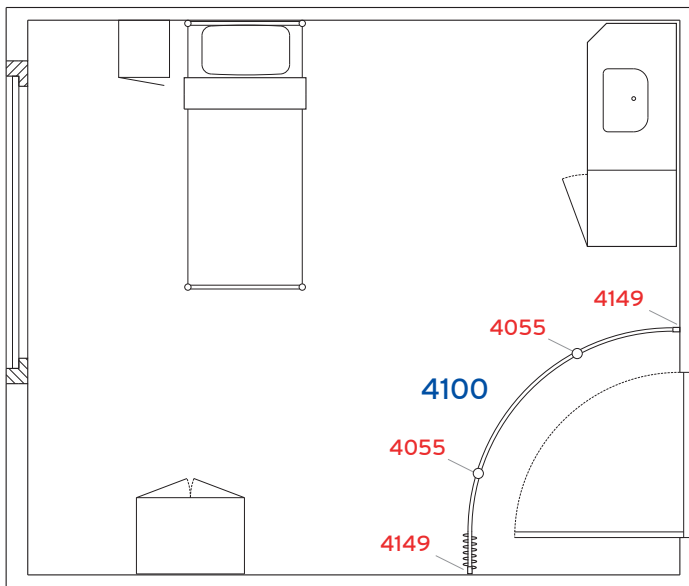


Application of an extra-isolating synthetic can for isolation on (metal) cooling climate ceilings.

1440-5-302530

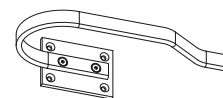
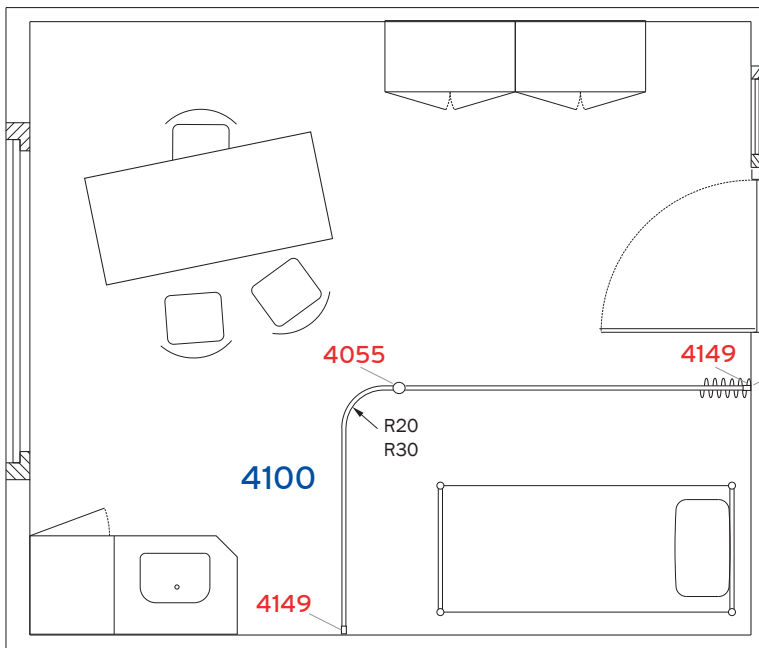


Example of a room with 1 bed and the 4100 system.



In these types of rooms, privacy can be guaranteed beautifully by placing a single rail with large radius at the door.

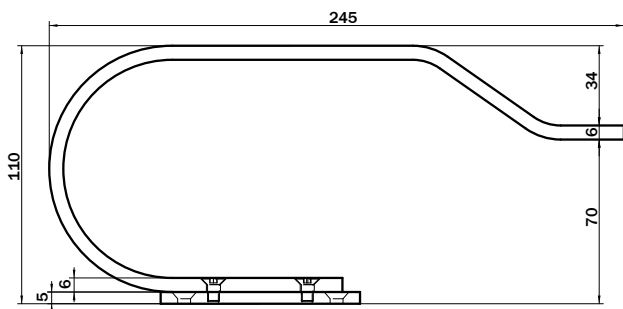
Example of an examination room with a 4100 system.



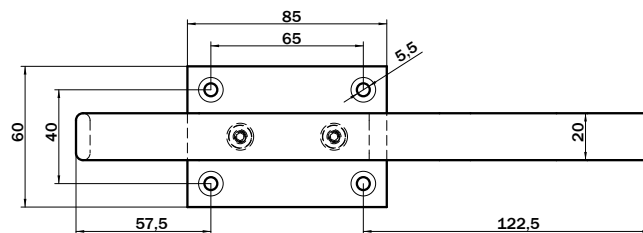
Example of possible placement of curtain holdback 4170

Placement of L-shaped cubicle rail around the bed, with extra space for medical personnel and placement of medical equipment.

Main dimensions for curtain holdback 4170

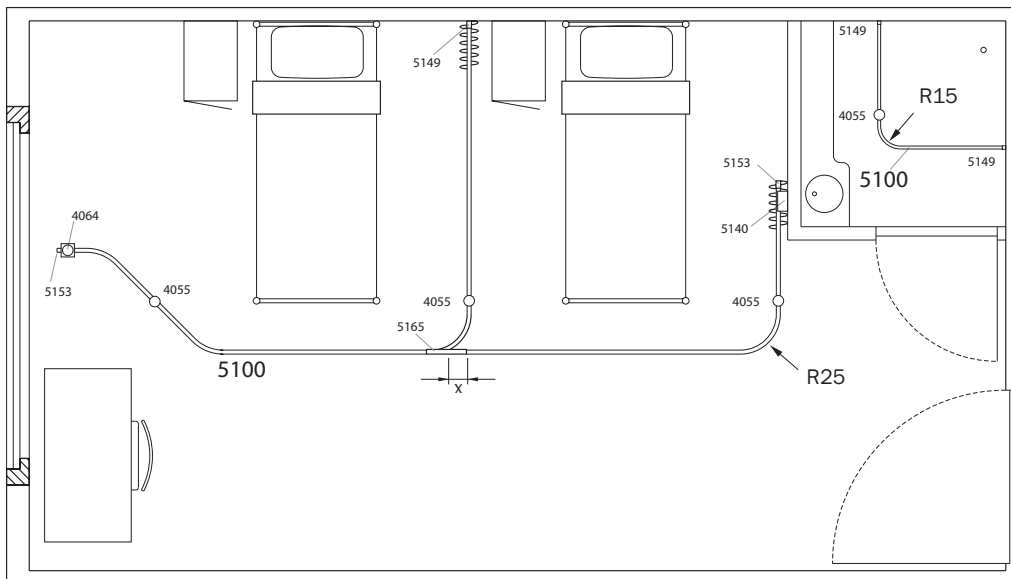


side view

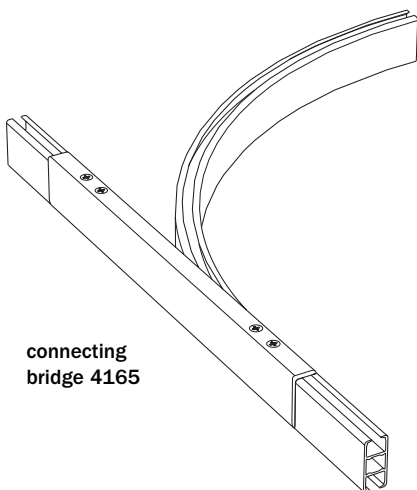


top view

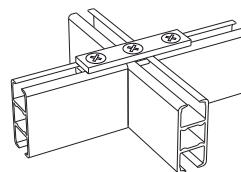
Example of a room with 2 beds and a 5100 system. Also illustrating the use of a hanger tube where face mounting is impossible (due for example to window placement)



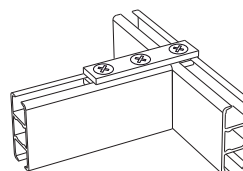
x = extra length 5100 : 7 cm at radius R15 cm  
15cm at radius R25 cm



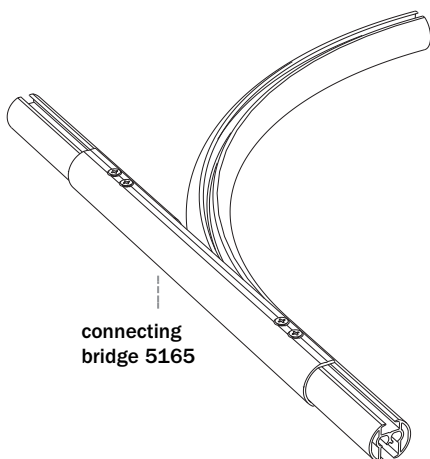
connecting bridge 4165



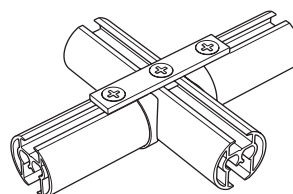
connection bracket white 4130



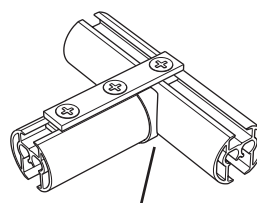
connection bracket white 4130 as perpendicular connector



connecting bridge 5165

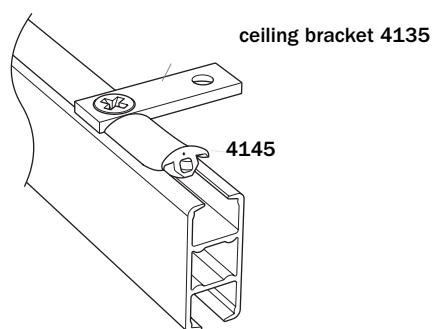


connection bracket white 5130



connection bracket white 5130 as perpendicular connector

hollow end cap 5153-20

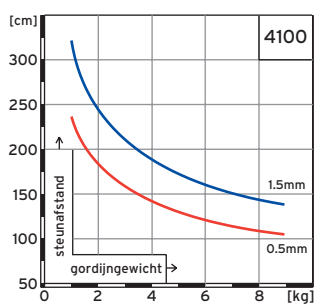


The cover strip prevents accumulation of dust in the opening on top of the rail and thus simplifies maintenance. The self-locking strip is flexible and can also be placed in curves.

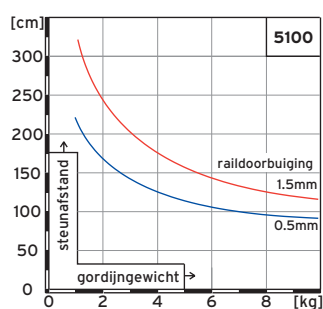
Left: ceiling mounting of rail 4100 with ceiling bracket 4135 and flexible cover strip 4145 to seal the gap on top.

## G-Standard

### 4100



### 5100



## IEC 60364

The international norm IEC 60364 stands for isolated rail placement. For more information, please contact Goelst NL in Ede.

Ceiling mounting with suspension hanger 4055 (because of synthetic draadvoet 4156), hanger tube 4064 (because of stability), wall mounting with synthetic wall bracket 4140 and wall bracket 4149.